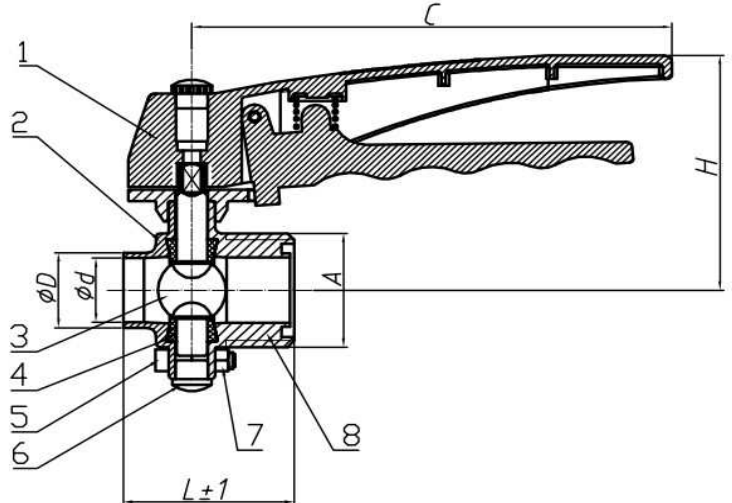


Cangzhou Changyuan Fittings Co.,Ltd

Add:No.26 Shigang Road,Development Zone,Cangzhou ,Hebei,China Pc:061000

Http://www.con-well.com email:con-well@vip.163.com

Butterfly valve, SMS male/Welding



Size	A	D	d	C	L	H
1"	RD40*1/6	25.70	21.90	155.00	54.0	80.0
1 1/2"	RD60*1/6	38.30	34.50		56.0	88.0
2"	RD70*1/6	51.10	47.50		59.0	96.0
2 1/2"	RD85*1/6	63.50	59.50		68.0	116.0
3"	RD98*1/6	76.20	72.20		70.0	123.0
4"						

Material List:

Item	Description	Material
1	Handle	Plastics
2	Body I	304/316/316L
3	Disc	304/316/316L
4	Seal	EPDM/Silion
5	Bolt	304
6	Plug	NBR
7	Nut	304
8	Body II	304/316/316L

FEATURES:

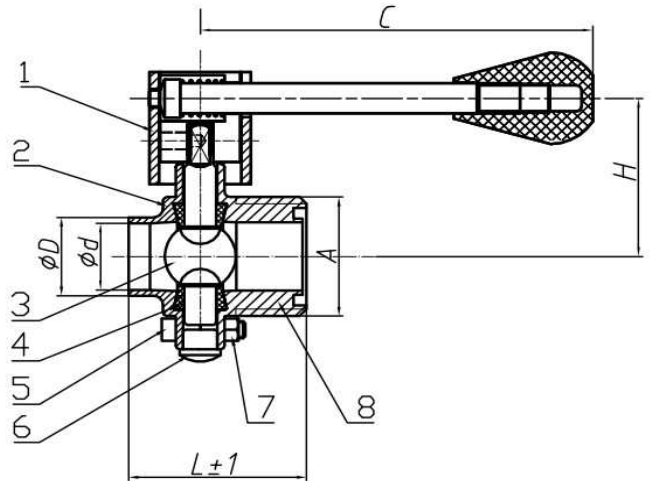
- Rated Pressure: PN1.0Mpa
- PED97/23/EC (CE0038) Approved.
- Inspection Testing:API598
- Working temperture: -40°C--150°C

Cangzhou Changyuan Fittings Co.,Ltd

Add:No.26 Shigang Road,Development Zone,Cangzhou ,Hebei,China Pc:061000

Http://www.con-well.com email:con-well@vip.163.com

Butterfly valve, SMS male/Welding



Size	A	D	d	C	L	H
1"	RD40*1/6	25.70	21.90	129.00	54.0	52.0
1 1/2"	RD60*1/6	38.30	34.50	129.00	56.0	59.0
2"	RD70*1/6	51.10	47.50	137.00	59.0	67.5
2 1/2"	RD85*1/6	63.50	59.50	137.00	68.0	82.0
3"	RD98*1/6	76.20	72.20	137.00	70.0	89.0
4"						

Material List:

Item	Description	Material
1	Handle	304
2	Body I	304/316/316L
3	Disc	304/316/316L
4	Seal	EPDM/Silion
5	Bolt	304
6	Plug	NBR
7	Nut	304
8	Body II	304/316/316L

FEATURES:

- Rated Pressure: PN1.0Mpa
- PED97/23/EC (CE0038) Approved.
- Inspection Testing:API598
- Working temperture: -40℃--150℃